

# APPROVED

APR 04 2021

## BOARD OF RECREATION AND PARK COMMISSIONERS

**BOARD REPORT**

NO. 24-065

DATE April 04, 2024

C.D. 14

### BOARD OF RECREATION AND PARK COMMISSIONERS

SUBJECT: THE HOLLENBECK PARK & I-5 FREEWAY ADJACENT BEAUTIFICATION PROJECT (W.O. M0016623) – REQUEST FOR AUTHORIZATION TO INSTALL GATEWAY AND REFURBISH EXISTING PLANTER

B. Aguirre	_____	for	M. Rudnick	_____
B. Jones	_____	*	C. Santo Domingo	<u>DF</u>
B. Jackson	_____		N. Williams	_____

  
 \_\_\_\_\_  
 General Manager

Approved   X                        Disapproved \_\_\_\_\_                      Withdrawn \_\_\_\_\_

### RECOMMENDATIONS

1. Authorize the Bureau of Street Services to perform construction in the Department of Recreation and Parks property as described in this Report, for the Hollenbeck Park & I-5 Freeway Adjacent Beautification Project (W.O. M0016623).

### BACKGROUND

The Bureau of Street Services (StreetsLA) was awarded a Clean California Grant for \$4.9 million dollars to provide safety and beautification improvements in and around Hollenbeck Park (Park). The goal of the Project is to address community concerns, particularly from the Park Advisory Board and Friends of Hollenbeck Park, about safety and accessibility. Residents consistently voiced their concerns about poor lighting and the lack of sidewalks around the Park. StreetsLA, in partnership with Council District 14, took note of these concerns and applied for the grant to secure funding in order to implement these much-needed improvements.

The initial phase of the Project, as outlined in Board Report 24-005, was approved by the RAP Board on January 4, 2024. StreetsLA now seeks Board approval to refurbish the existing planter and to install a new gateway monument along the 4th Street side of the Park.

### OVERALL PROJECT SUMMARY

The proposed Project is located in and adjacent to Hollenbeck Park (Park) and the I-5 Freeway in the Boyle Heights community of the City of Los Angeles. The proposed improvements are located in the City of Los Angeles Public Right-of-Way and in the Department of Recreation & Parks (RAP) owned property. This Project was initiated after identifying a need for safer access where the park edges meet the public right-of-way space. Although the Park provides some

## BOARD REPORT

PG. 2 NO. 24-065

amenities, there are no sidewalks along the eastern and southern border of the Park. The Project will construct new ADA compliant sidewalks along the eastern and southern perimeter of the Park to provide a safe and continuous path of travel for people of all abilities. This continuous path of travel also includes the construction of ADA compliant curb ramps and the reconstruction of all existing park driveways, as well as the construction of a new driveway on the 4th Street side of the Park for RAP maintenance vehicle access.

As detailed in Board Report 24-005, StreetsLA intends to enhance the beautification efforts by updating the existing gateway planter and installing a steel monument at the northern entrance of the Park. The revamped gateway planter will incorporate sustainable features, including permeable pavers capable of capturing rainwater and boasting a high Solar Reflectance Index (SRI) to lower surface temperatures and diminish heat absorption into the concrete. Additionally, a drought-tolerant California native plants garden will be incorporated within the planter. Adjacent to the updated planter, StreetsLA plans to erect a "steel" monument featuring the title "Hollenbeck Park" with a historic bridge in the background (see Attachment No. 1).

### COMMUNITY OUTREACH

On September 14, 2023, StreetsLA and Council District 14 hosted a community meeting to solicit feedback on the proposed Project improvements. The overall Project was very well received and garnered much support and excitement. In this meeting, the attendees were asked to select their desired pedestrian lighting style, pole color, and their preferred tree species. Additionally, they weighed-in on the proposed design for the new gateway monument. They emphasized the historical importance of the Park, and it was suggested that the gateway monument include inlaid plaques that commemorate the history of the Park.

On February 29, 2024, StreetsLA convened with the Park Advisory Board to seek approval for the proposed design to refurbish the Park's gateway sign and planter. During this meeting, StreetsLA presented the design concept for the updated planter and steel gateway monument, which incorporates a silhouette of the historic Park bridge. The design was very well received and The Park Advisory Board voted to approve it.

### IMPROVEMENT REQUIRING BOARD APPROVAL

As depicted in Attachment No. 1, the Project aims to refurbish the current gateway planter and introduce a gateway monument at the northern entrance of the Park, along 4th Street. The updated planter will integrate sustainable elements, featuring a 5-foot border of light-colored permeable pavers designed to capture rainwater and boasting a high Solar Reflectance Index (SRI) to reduce surface temperatures and minimize heat absorption into the concrete. The existing planter walls will be replaced with a 3-foot high concrete wall, altering the planter's shape to a single oval. Existing thriving plants will be safeguarded, while new drought-tolerant California native species will be planted, including California Fuchsia, Blue Sage, Deer Grass, Ray Hartman Ceanothus, Desert Mallow, Matilija Poppy, Monkey Flower, San Miguel Buckwheat, California Poppy, Santa Barbara Daisy, Common Yarrow, Coyote Bush, and Penstemon.

## BOARD REPORT

PG. 3 NO. 24-065

Adjacent to the updated planter, StreetsLA proposes to install a steel gateway monument made of ¼" thick Corten Steel. The monument will feature the title "Hollenbeck Park" with the historic bridge silhouette above the letters. The title lettering will stand at 1 foot in height, and the overall geometric dimensions of the monument will measure 20 feet 8 inches in length with a total height of 3 feet 9 inches.

The Bureau of Street Services requests Board authorization to implement the following improvements in RAP property:

1. Renovate the current gateway planter wall and populate it with California native drought-tolerant plants.
2. Install Corten Steel Monument bearing the title "Hollenbeck Park" with the historic bridge silhouette positioned directly above.

### PROJECT FUNDING:

The Clean California Local Grant Program awarded the Bureau of Street Services \$4,993,180 to implement the Project.

### CONSTRUCTION SCHEDULE

Construction for the enhancements in the Public Right-of-Way commenced in November 2023, with an anticipated timeframe of 8 months. Concurrently, construction for the components within RAP property, as outlined in Board Report 24-005, began on January 10, 2024. According to the terms of the grant agreement, all Project scope must be completed by June 30, 2024.

### TREES AND SHADE

As stated in Report No. 24-005, a total of 202 trees will be planted in the Park and the public right-of-way along St Louis St., 4th St, and 6th St. To maximize shade, a mix of (17) Desert Willow, (19) Fern Pine, (27) London Plane, (3) Jacaranda, (1) "Red Push" Pistache, (3) "Marina" Strawberry, (3) Australian Willow, (22) Chinese Elm, (3) Hong Kong Orchid Tree, and (5) Pink Trumpet will be planted in the public right-of-way. Inside the park, (18) Jacaranda, (13) Red Flowering Gum, (16) Torrey Pine, (14) "Red Push" Pistache, (8) "Marina" Strawberry, (13) Queensland Lacebark, (15) Cork, and (2) Brisbane Box are proposed to be planted.

This proposed Project will not remove or affect any existing trees and the new trees will be planted in spaces that are currently vacant, in coordination with RAP personnel recommendations.

### ENVIRONMENTAL IMPACT

On January 4, 2024, Report No. 24-005, the Board of Recreation and Parks Commissioners (Board) concurred with StreetsLA that the Project be determined categorically exempt from the provisions of the California Environmental Quality Act (CEQA) pursuant to Article III, Section 1,

## BOARD REPORT

PG. 4 NO. 24-065

Class 1(a) consists of minor construction of existing public facilities and topographical features involving negligible or no expansion of use beyond that previously existing. City CEQA Guidelines Class 1(3) consists of minor alterations of sidewalks. City CEQA Guidelines Class 1(12) consists of outdoor lighting and fencing for security and operation. City CEQA Guidelines Class 2(3) consists of the replacement or reconstruction of existing facilities involving negligible or no expansion of capacity that will be located on the same site as the structure replaced and will have substantially the same purpose. City CEQA Guidelines Class 4(3) consists of new tree planting, but not including tree removal except dead, damaged or diseased trees or limbs. StreetsLA filed a Notice of Exemption (NOE) with the Los Angeles County Clerk on March 28, 2023.

As the Project and the environmental conditions of the site have not have not changed, staff recommends that the Board take no further CEQA action.

### FISCAL IMPACT

The Project will be funded by the Clean California Local Grant program. There is no impact on RAP's General Fund.

### STRATEGIC PLAN INITIATIVES AND GOALS

Approval of this Board Report advances RAP's Strategic Plan by supporting:

**Goal No. 1:** Provide Safe and Accessible Parks.

**Outcome No. 1:** Every Angeleno has walkable access to a park in their neighborhood.

**Outcome No. 2:** All parks are safe and welcoming.

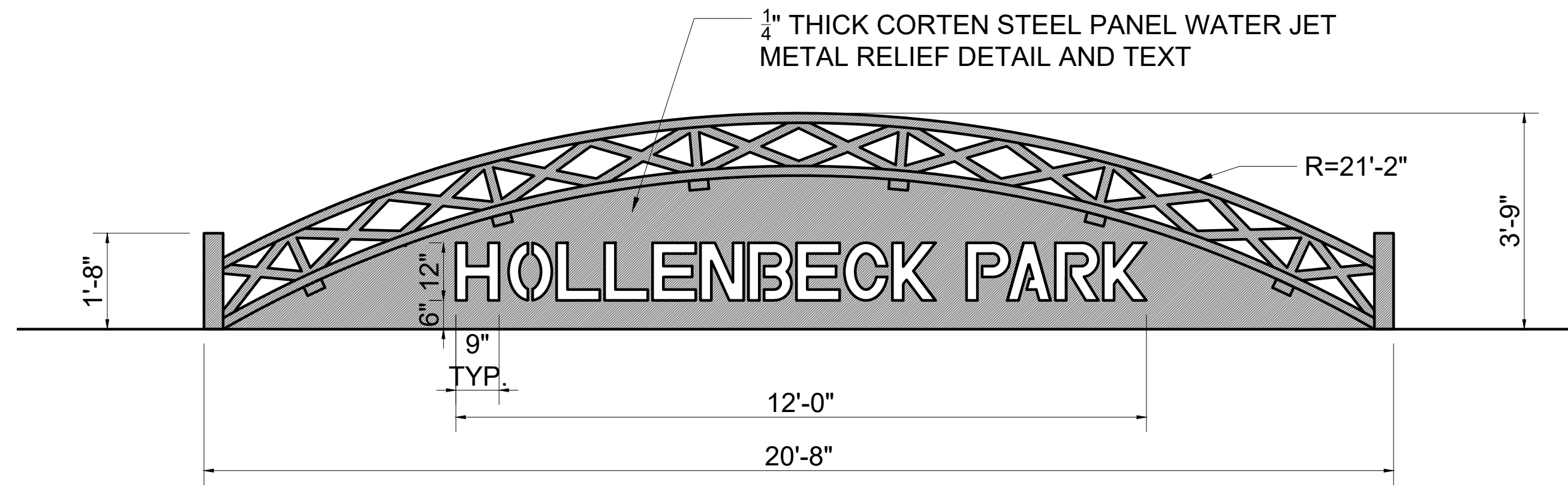
**Goal No. 5:** Ensure an Environmentally Sustainable Park System.

**Outcome No 2:** A Healthy Urban Forest across the Park System.

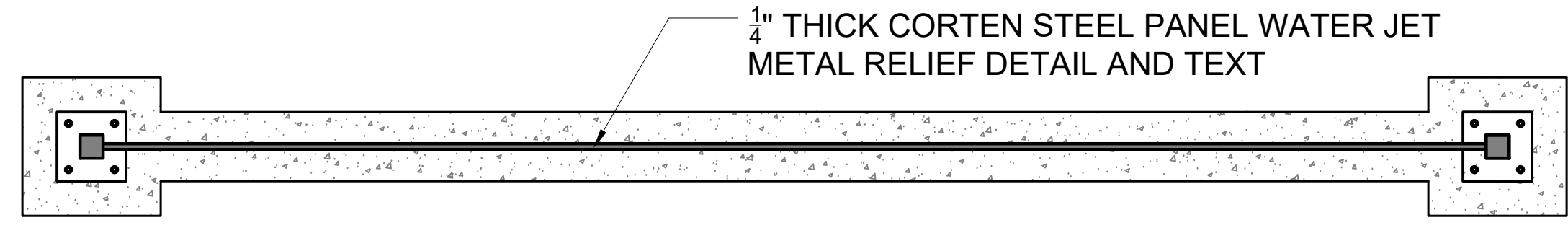
This Report was prepared by David Bou, Project Manager, StreetsLA Engineering Service Division; and reviewed by Victor Cortes, Senior Civil Engineer, StreetsLA Engineering Service Division; and Darryl Ford, Superintendent, Planning, Maintenance, and Construction Branch.

### LIST OF ATTACHMENTS

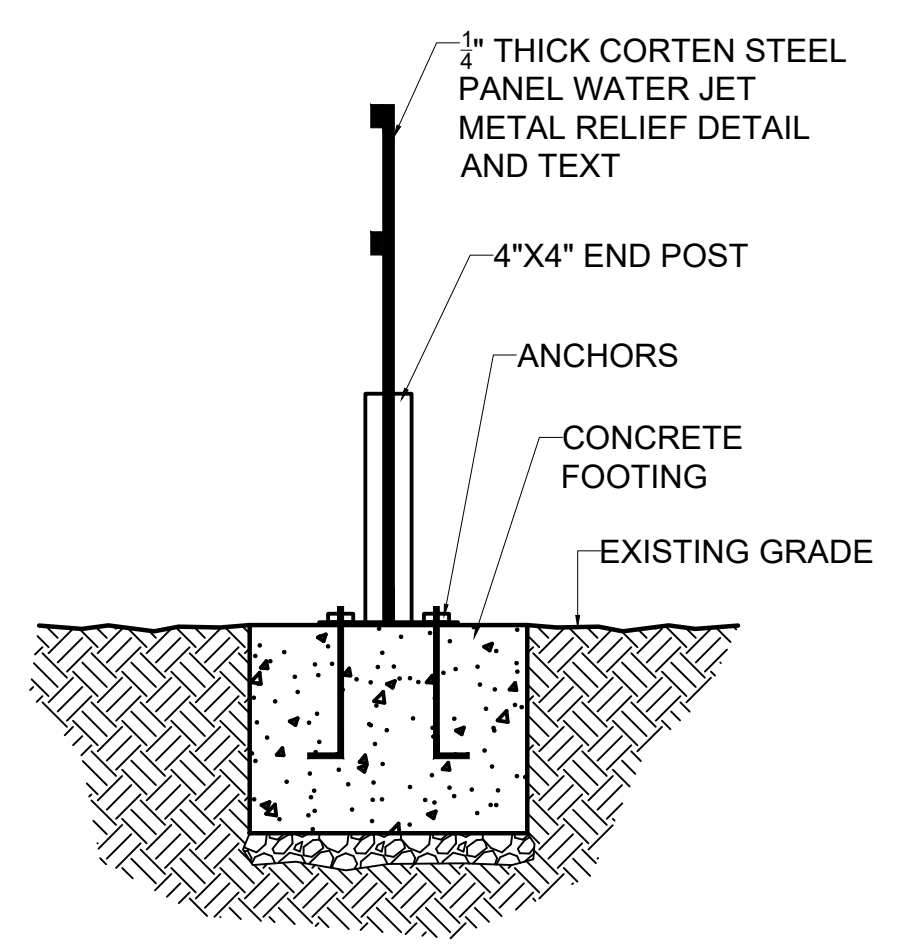
- 1) Attachment No. 1 – Gateway Plans



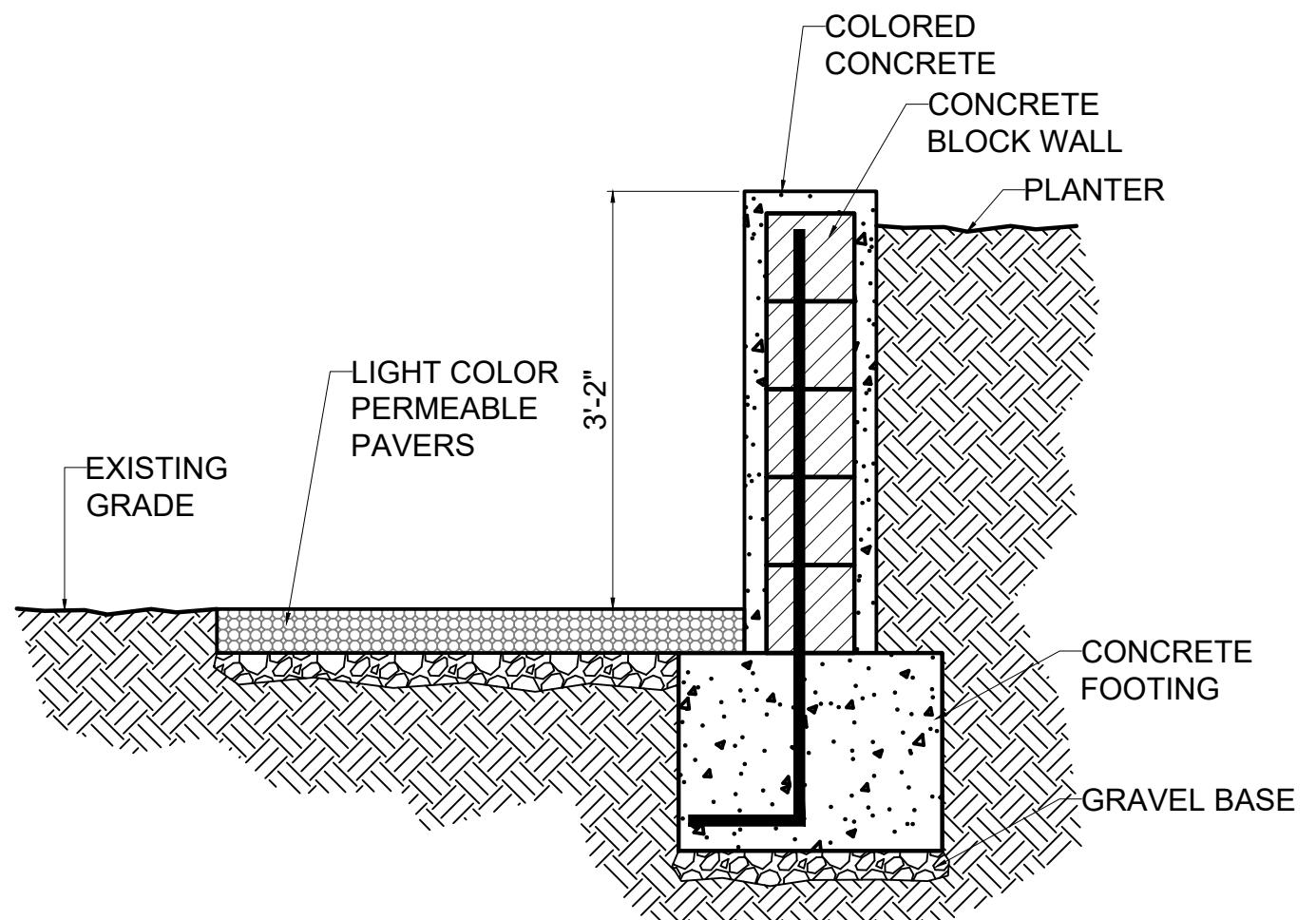
**GATEWAY MONUMENT STREETVIEW**  
NOT TO SCALE



**GATEWAY MONUMENT PLANVIEW**  
NOT TO SCALE



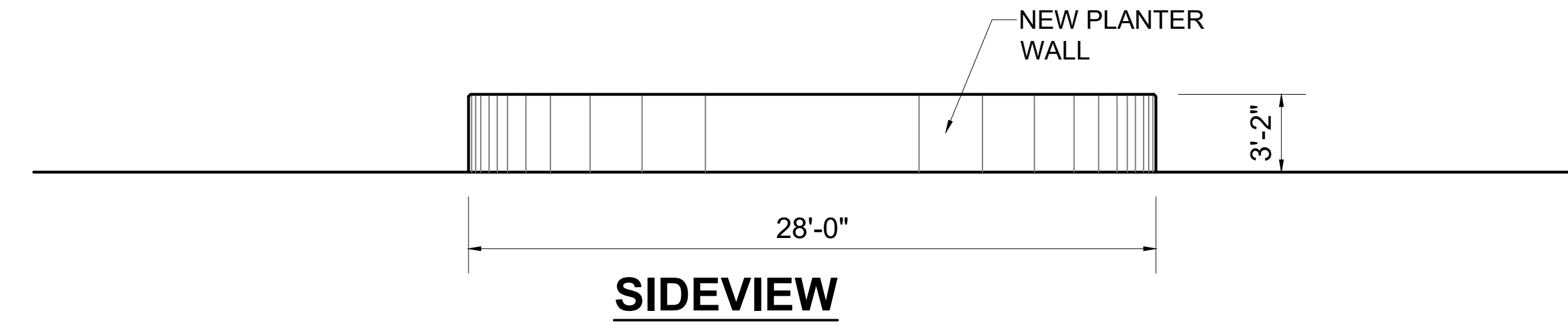
**GATEWAY MONUMENT SECTION**  
NOT TO SCALE



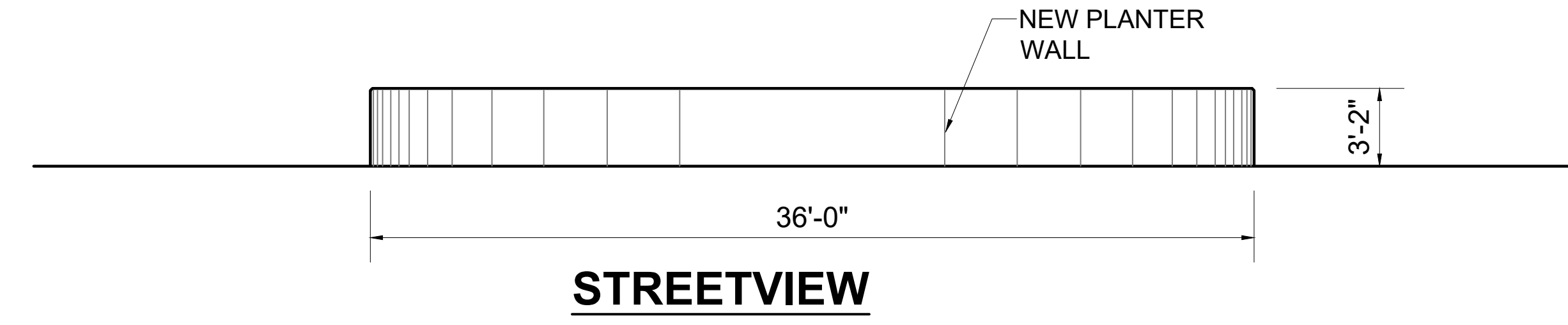
**PLANTER WALL SECTION**  
NOT TO SCALE

**PLANT LEGEND**

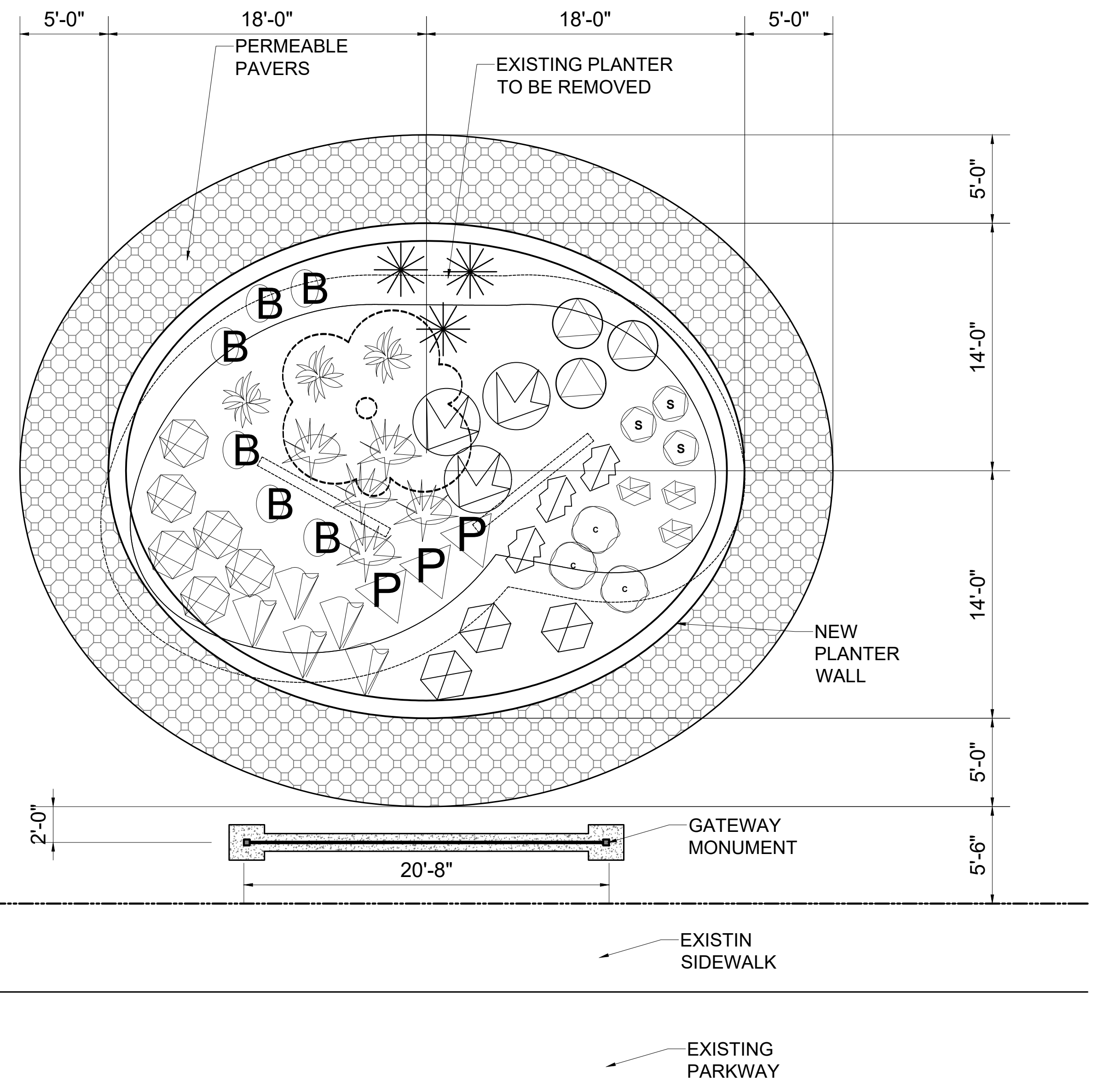
	BOTANICAL NAME	COMMON NAME	Q.T.	SIZE	SPACING
✱	ZAUSCHNERIA CANUM	CALIFORNIA FUCHSIA	3	5 GAL	24" O. C.
○	SALVIA CLEVELANDII	BLUE SAGE	3	5 GAL	24" O. C.
✱	MUHLENBERGIA RIGENS	DEER GRASS	3	5 GAL	24" O. C.
○	CEANOTHUS 'RAY HARTMAN'	RAY HARTMAN CEANOTHUS	3	5 GAL	24" O. C.
○	SPHAERALCEA AMBIGUA	DESERT MALLOW	3	5 GAL	24" O. C.
⊕	ROMNEYA COULTERI	MATILJA POPPY	3	5 GAL	24" O. C.
⊕	MIMULUS AURANTIACUS	MONKEYFLOWER	3	5 GAL	24" O. C.
B	ERIOGONUM RUBESCENS	SAN MIGUEL BUCKWHEAT	6	5 GAL	24" O. C.
⊕	ESCHSCHOLZIA CALIFORNICA	CALIFORNIA POPPY	6	1 GAL	12" O. C.
✱	ERIGERON KARVINSKIANUS	SANTA BARBARA DAISY	6	5 GAL	24" O. C.
⊕	ACHILLEA MILLEFOLIUM	COMMON YARROW	6	1 GAL	24" O. C.
⊕	BACCHARIS PILULARIS	COYOTE BUSH	3	5 GAL	24" O. C.
P	PENSTEMON SPECTABILIS	PENSTEMON	3	5 GAL	24" O. C.



**SIDEVIEW**



**STREETVIEW**



**4TH ST.**

**PLANVIEW**

**PLANTER PLAN**  
NOT TO SCALE



**BUREAU OF STREET SERVICES**

NO.	REVISION DESCRIPTION	DATE	BY

INDEX NO.

**DEPARTMENT OF PUBLIC WORKS**

EXECUTIVE DIRECTOR  
GENERAL MANAGER  
**ADEL H. HAGEKHALIL, P.E.**

ENGINEERING SERVICES DIVISION	INITIAL	DATE

DESIGNED BY: S. TON  
CHECKED BY: J. TORRES  
APPROVED BY: J. TORRES  
PROJECT MGR: D. BOU

**CITY OF LOS ANGELES**

VERTICAL CONTROL:	WORK ORDER NO.
	M0016623
HORIZONTAL CONTROL:	DRAWING NO.
	L-305

SHEET TITLE: PLANTER AND GATEWAY MONUMENT PLANS  
PROJECT: HOLLENBECK PARK ADJACENT AND I-5 FREEWAY ADJACENT BEAUTIFICATION PROJECT  
ADDRESS: HOLLENBECK DR. AND SAN LOUIS ST.